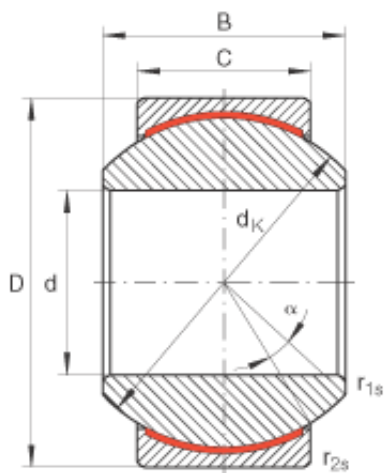




OLIE BEARING COMPANY



GE8-PW Bearing 2D drawings and 3D CAD models

INA GE8-PW Spherical Plain Bearings

Bearing No. GE8-PW

Size	8x19x12 mm
Bore Diameter	8 mm
Outer Diameter	19 mm
Width	12 mm
C	9 mm
$D_{a \min}$	14 mm
$d_{a \max}$	10,3 mm
d_K	15,875 mm
$r_{1s \min}$	0,3 mm
$r_{2s \min}$	0,3 mm
alf (°)	14
Weight (kg)	0,017
C_r (N)	12900
C_{Or} (N)	32100
Category	Spherical Plain Bearings - Radial
Inventory	0.0
Manufacturer Name	SCHAEFFLER GROUP
Minimum Buy Quantity	N/A
Weight / Kilogram	0.023
EAN	4012802531404
Product Group	B04264
Self Aligning	Yes
Rolling Element	Spherical Plain
Material - Outer Member	Steel
Material - Ball	Steel



OLIE BEARING COMPANY

Material - Liner	Bronze Teflon
Relubricatable	No
Enclosure	Open
Other Features	3 Piece Maintenance Free
Long Description	8MM Bore; 9MM Housing Width; 19MM Outside Diameter; Spherical Plain; Steel Outer Member; Steel Ball; Bronze Teflon Liner; 12MM Overall Width; Not Relubricatable
Inch - Metric	Metric
Category	Plain Bearings Spherical Radial
UNSPSC	31171515
Harmonized Tariff Code	8483.30.80.70
Noun	Bearing
Keyword 3	Spherical
Keyword String	Plain Spherical Radial
Manufacturer URL	http://www.ina.com
Manufacturer Item Number	GE8PW
Weight / LBS	0.04
Outside Diameter	0.748 Inch 19 Millimeter
Bore	0.315 Inch 8 Millimeter
Overall Width	0.472 Inch 12 Millimeter
Housing Width	0.354 Inch 9 Millimeter