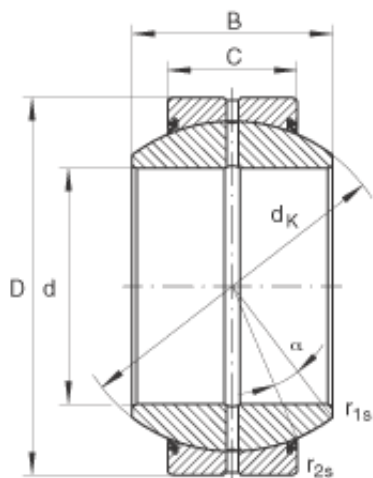




# OLIE BEARING COMPANY



## INA GE40-FO-2RS Spherical Plain Bearings

Bearing No. GE40-FO-2RS

Size	40x68x40 mm
Bore Diameter	40 mm
Outer Diameter	68 mm
Width	40 mm
C	25 mm
$D_{a \min}$	57 mm
$d_{a \max}$	44,7 mm
$d_K$	60 mm
$r_{1s \min}$	0,6 mm
$r_{2s \min}$	1 mm
alf ( ° )	17
Weight (kg)	0,54
$C_r$ (N)	128000
$C_{Or}$ (N)	639000
Category	Spherical Plain Bearings - Radial
Inventory	0.0
Manufacturer Name	SCHAEFFLER GROUP
Minimum Buy Quantity	N/A
Weight / Kilogram	0.623
EAN	4012802533552
Product Group	B04264
Self Aligning	Yes
Rolling Element	Spherical Plain
Material - Outer Member	Steel
Material - Ball	Steel

GE40-FO-2RS Bearing 2D drawings and 3D CAD models



## OLIE BEARING COMPANY

Material - Liner	Not Applicable
Relubricatable	Yes
Enclosure	2 Seals
Other Features	2 Piece   Single Axial Split in Outer Ring   Wide Inner Ring with Increased Tilting Angle
Long Description	40MM Bore; 25MM Housing Width; 68MM Outside Diameter; Spherical Plain; Steel Outer Member; Steel Ball; No Liner; 40MM Overall Width; Relubricatable
Inch - Metric	Metric
Category	Plain Bearings Spherical Radial
UNSPSC	31171515
Harmonized Tariff Code	8483.30.80.70
Noun	Bearing
Keyword 3	Spherical
Keyword String	Plain Spherical Radial
Manufacturer URL	<a href="http://www.ina.com">http://www.ina.com</a>
Manufacturer Item Number	GE40FO2RS
Weight / LBS	1.147
Outside Diameter	2.677 Inch   68 Millimeter
Housing Width	0.984 Inch   25 Millimeter
Bore	1.575 Inch   40 Millimeter
Overall Width	1.575 Inch   40 Millimeter